

Owner Instructions

Original Instructions

Warning! Read instructions before using the machine



www.numatic.com

Operating Instructions

CV 570

CVD 570

CV 900

CVD 900





CV/CVD 570/900

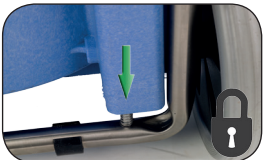
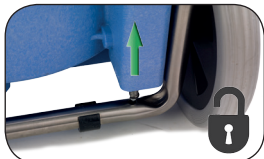
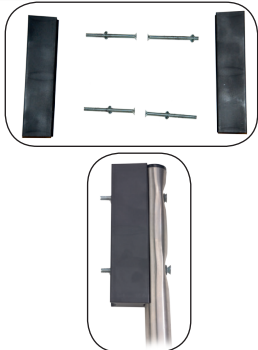


BS8

Assembling the machine



CV/CVD900 Drum Handle Assembly



Using the Machine



Warning!

You must make sure all waste material has been emptied from machine AFTER use. Make sure all filters are clean BEFORE every use.

Emptying the Machine

CV 570 / CVD 570

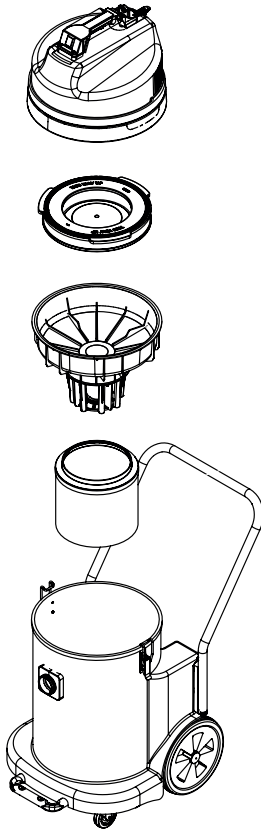


CV 900 / CVD 900

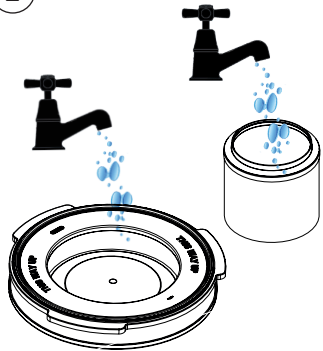


Cleaning the filters

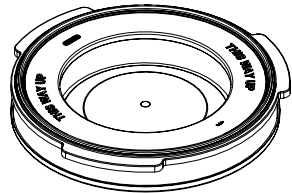
1



2

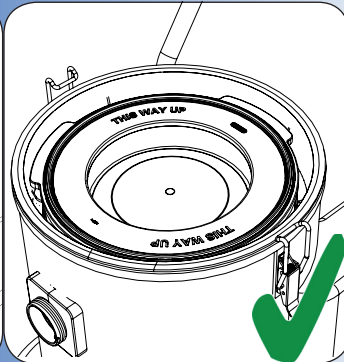
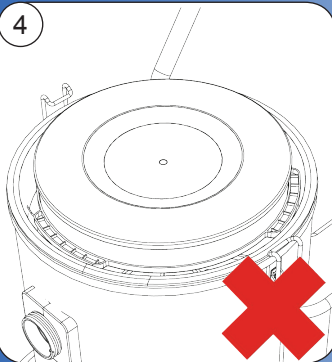


3

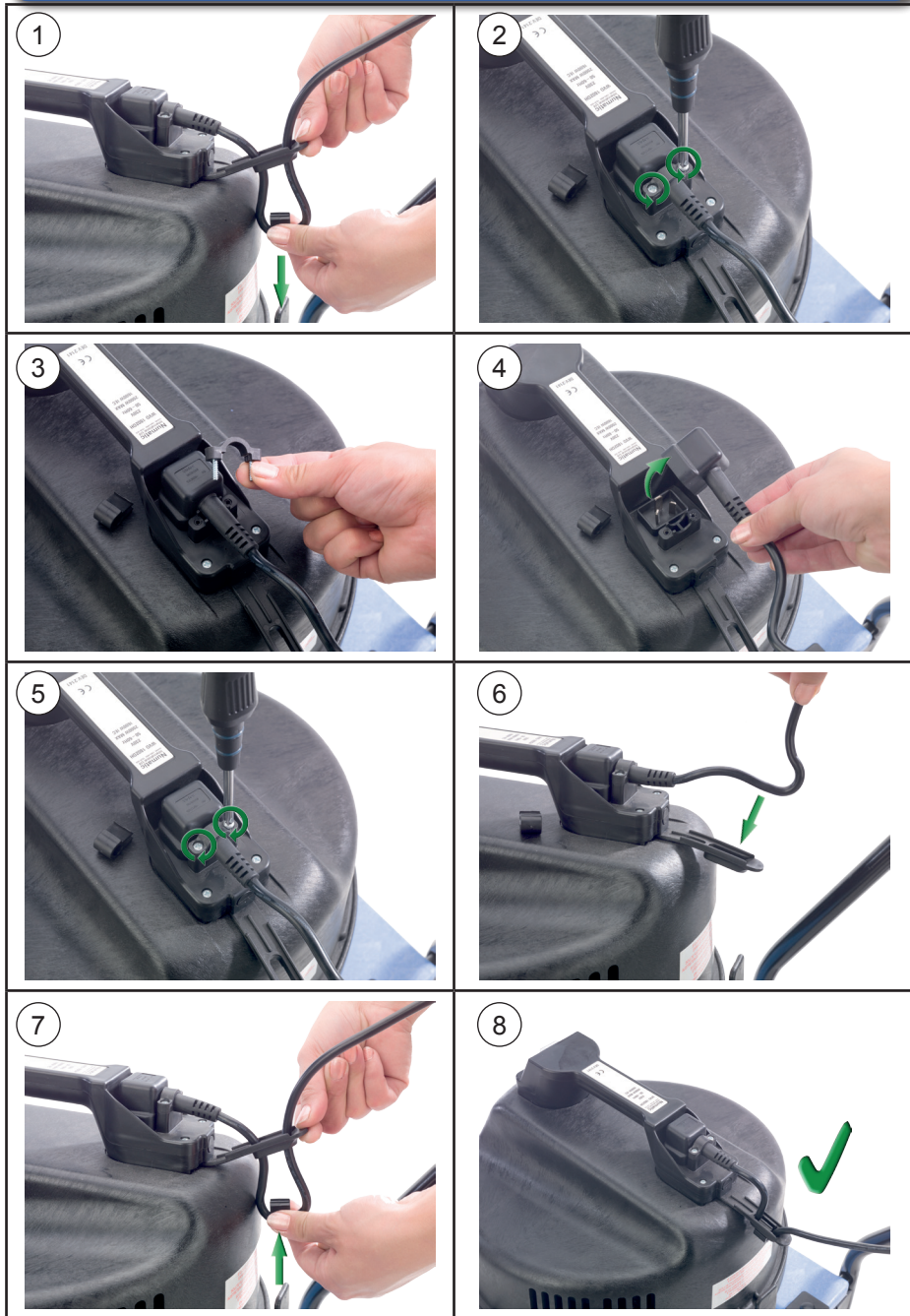


Do not replace filter until completely dry!

4



Changing the cable



Data

CV / CVD 570

	Motor	AirFlo	Suction	Cleaning Range	Class
CV 570 CVD 570	1200W 2400W	36.5 L/sec 49.0 L/sec	230 (mbar) 230 (mbar)	26.8m 26.8m	II
		Capacity Wet/dry	Size	Weight	Sound Pressure
CV 570 CVD 570		13 Ltrs 13 Ltrs	415x415x645	13.6 Kgs 15.8 Kgs	73.6-79 dB (IEC 60704-2-1) Uncertainty: 0.2 dB (A)

CV / CVD 900

	Motor	AirFlo	Suction	Cleaning Range	Class
CV 900 CVD 900	1200W 2400W	36.5 L/sec 49.0 L/sec	230 (mbar) 230 (mbar)	26.8m 26.8m	II
		Capacity Wet/dry	Size	Weight	Sound Pressure
CV 900 CVD 900		30 Ltrs 30 Ltrs	800x490x880	22.5 Kgs 25.0 Kgs	73.6-79 dB (IEC 60704-2-1) Uncertainty: 0.2 dB (A)

About the machine

Rating Label

- 1 Company Name & Address
- 2 Machine Description
- 3 Voltage
- 4 Power rating
- 5 Weight (ready to use)
- 6 IPX Rating
- 7 Class 2 symbol
- 8 WEEE Logo
- 9 CE Mark
- 10 Machine yr/wk Serial number
- 11 Frequency

1 **Numatic**
International Ltd
CHARD, ENGLAND TA20 2GB

2 **XX-XX**

3 **XXXV - XXXV**

11 **XXHz - XXHz**

4 **XXXXW MAX**

XXXX IEC

5 **XX.X Kg**

6 **IPXX**

7 

8 

9 


094 **10** **019**

WEEE Legislation

(Waste, Electrical and Electronic Equipment)

Vacuum cleaner, accessories and packaging should be sorted for environmental-friendly recycling.

Only for EU countries:

Do not dispose of Vacuum cleaner into household waste!

According to the European Directive 2002/96/EC on waste electrical and electronic equipment and its incorporation into national law.

Vacuum cleaners that are no longer suitable for use must be separately collected and sent for recovery in an environmental-friendly manner.



Safety critical components

Mains lead

HO5VV-F x 10m x 2 x 1.00mm²
HO5VV-F x 10m x 2 x 1.50mm²

PPE

(personal protective equipment) that may be required for certain operations.



Ear Protection



Safety Footwear



Head Protection



Safety Gloves



Dust / Allergens Protection



Eye Protection



Protective Clothing



Hi Viz Jacket



Caution Floorsign

NOTE:

A risk assessment should be conducted to determine which PPE should be worn.

Information for Wet & DRY Use Vacuum cleaners



WARNING

Read the instruction manual before using the machine.
Operators shall be adequately instructed on the use of these machines.
As with all electrical equipment, care and attention must be exercised at all times during use, in addition to ensuring that routine and preventative maintenance is carried out periodically to ensure safe operation.
Failure to carry out maintenance as necessary, including the replacement of parts to the correct standard could render this equipment unsafe and the manufacturer can accept no responsibility

in this respect.

The machine shall be disconnected from the mains by removing the plug from the supply socket during cleaning or maintenance and when replacing parts or converting the machine to another function.

The machine is not to be used by children or persons with reduced physical, sensory or mental capabilities, or lack of experience or knowledge, unless they have been given supervision or instruction.

Children being supervised are NOT to play with the machine.

This appliance is intended to be assembled, cleaned and maintained by an adult.

This machine is not a toy.



CAUTION

If foam/liquid comes out of machine exhaust, switch off immediately. Allow the accumulated liquid to drain out through the machine exhaust, check the float assembly to ensure correct operation, empty the container if full of liquid, reassemble the machine. Immediately upon start up there will be a certain amount of liquid issuing from the machine exhaust which will be the residue of liquid still within the power head. This will be quickly discharged after which the machine should function normally.

Liquid ejected from the machine could be hazardous as a result of its temperature, pressure or chemical content.

This machine is not suitable for the collection of biological hazards, hazardous or explosive dust. You should contact your local distributor if you require a machine capable of performing these tasks.

Ensure that the filtration system fitted to the machine is suitable for the material being collected.

This machine is for indoor use only.

This machine shall be stored indoors only

This product complies with the requirements IEC 60335 -2.69.

When moving from one place to another, consider the weight of the machine.

NOTES

This machine is also suitable for commercial use, for example in hotels, schools, hospitals, factories, shops and offices for other than normal housekeeping purposes.
This machine can be used for wet and dry pick up.



DO

- Keep your machine clean.
- Keep filters clean.
- Regularly clean the water level limiting float safety valve and examine for signs of damage or correct operation.
- Keep hoses clear.
- Replace any worn or damaged parts immediately.
- Regularly examine the power cord, if damage is found, power cord must be replaced by a qualified person using the correct Numatic original part.
- Empty dust container frequently.
- Keep diffuser filter (where fitted) clean.
- Dispose of waste in an environmentally responsible way.



DON'T






- Use steam cleaners or pressure washers to clean the machine or use the machine in the rain.
- Immerse in water for cleaning.
- Allow any inexperienced repairs. Call the experts.
- Use wet if float valve is not functioning or fitted.
- Use to suck up hot ashes, or lighted cigarette ends.
- Run the machine over the power cable during operation as a hazard may occur.
- Pull on the cable to unplug the machine from the power supply.
- Walk over-wet carpets, upholstery or fabrics.
- Walk on clean carpets until fully dry.
- Spray onto people or animals.
- Attempt machine maintenance or cleaning unless the power supply plug has been removed from the supply outlet.

Fault Finding

If the vacuum cleaner stops working switch off and remove the plug from the wall before investigating where the fault lies.

If the vacuum cleaner has a blockage and will not pick up material, switch off and remove the plug from the wall. Check if the float valve has operated, this will shut off the suction and the pitch of the vacuum motor will change. Remove the power head and float cage and empty the waste out of the container, if the container is empty check that the floor tool, wands and hose are not blocked.

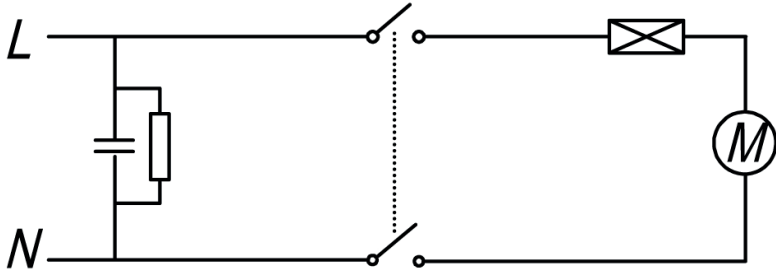
After use always inspect the machine for damage.

	Failure to rectify the problem or in the event of a breakdown contact your Numatic dealer or the Numatic Technical Helpline +44 (0)1460 269268
	Wenn Sie das Problem nicht beheben können oder wenn es zu einer Störung kommt, wenden Sie sich an Ihren Numatic-Handler oder rufen Sie bei der Numatic Technical Helpline an unter 0049 (0)511 9842160.
	Si vous ne parvenez pas résoudre le problème ou en cas de panne, contactez votre revendeur Numatic ou le service d'assistance technique Numatic au +33164726161
	Neem contact op met uw Numatic-verdeler als u het probleem niet kunt verhelpen of de machine dienst weigert. U kunt ook de technische hulplijn van Numatic bellen op +31 172 467 999
	Failure to rectify the problem or in the event of a breakdown contact your Numatic dealer or the Numatic Technical Helpline 0861 686 284

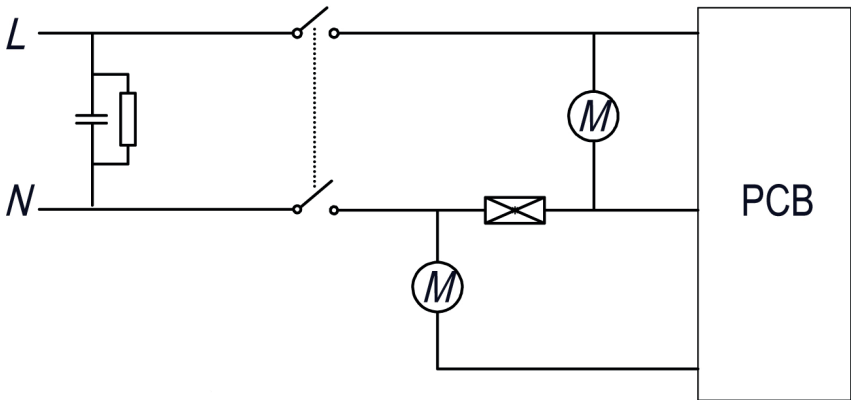
Spare Parts

NUMBER	ITEM	NOTES
207124	CARTRIDGE FILTER	REPLACEMENT ITEM
207125	(H10)CARTRIDGE FILTER	ACCESSORY ITEM
207126	MESH FILTER	REPLACEMENT ITEM
502988	FLOAT ASSEMBLY	REPLACEMENT ITEM

14" CV 570/900 - 240/120V
WD- (A01)



14" CVD 240V/120V
WD-(A01)





**EU DECLARATION
OF
CONFORMITY**

We hereby declare under our sole responsibility that the following equipment fulfils all the relevant provisions of the following EU Directives:

Machinery Directive 2006/42/EC

EMC Directive 2004/108/EC

RoHS Directive 2011/65/EU

Machine Description: Vacuum Cleaner
Type: WVD, WV, CV, CVD series

Manufactured by: Numatic International Limited

Relevant standards upon which conformity is declared include:

IEC 60335-1 2001 + A1 2004 + A2 2006 + National Deviations

IEC 60335- 2-2 2002 + A1 +A2

IEC 60335-2.69 2002 + A2

EN 55014-1 2001 +A1 2001, +A2 2002

EN 55014-2 1997 + A1 2001 (Cat II)

EN 50366 2003 + A1 2006

A technical construction file for this equipment is retained at the manufacturer's address under the authorisation of the following signatory:

Name: Allyn Boyes **Position:** Technical Manager

Signed:

Date: 28/04/2014



Numatic International Limited,
Chard , Somerset.
TA20 2GB
www.numatic.co.uk

GB

Numatic International Warranty

Numatic International Limited warrant to the original purchaser that its products are free of defects in both material or workmanship for the period shown below:-

Homecare and Cleancare Vacuum cleaners.....	2 Years
Rotary Floor Machines.....	2 Years
Twintec Auto Scrubber Dryer.....	1 Year
Vario Ride-On Scrubber Dryer.....	1 Year / 1500 hours
Mopping, Compacts, Combi and Servocare Products.....	1 Year
Individual Accessories and Spare Parts.....	6 Months

Note: This warranty expressly excludes consumable parts such as carbon brushes, floor brushes, mops, batteries etc, that are considered replaceable from time to time during the normal working life of the machine.

- A. The warranty period commences from the date the goods are purchased.
- B. All warranty claims must be processed through the Dealer from whom the equipment was purchased. The Dealer will co-operate with the purchaser throughout the warranty claims procedure and will arrange any necessary repairs using genuine Numatic parts.
- C. If the original Dealer is no longer able to fulfil his obligations please contact Numatic International Limited with full details of the claim and proof of purchase so that this may be processed without delay.
- D. Any warranty claim can only relate to the specific part that is proven to be at fault and for which a replacement will be supplied but cannot be extended to constitute a claim against the complete machine.
- E. Numatic International will supply the Dealer with any warranty parts required, subject to the claim being validated, after return of the faulty items in accordance with Numatic International Limited's General Conditions of Sale.
- F. Claims will not be accepted if they are the result of fair wear and tear, misuse or abuse of any kind.
- G. No replacement will be given unless the appropriate evidence of the validity of the claim has been provided to the satisfaction of Numatic International Limited.
- H. Numatic International Limited reserve the right to charge for any unnecessary work carried out as a result of an invalid claim.
- I. No variation to this warranty may be made or implied by any member of Numatic International Limited or its Dealers unless such variation is in writing and authorised by the Company



Numatic International Limited. Chard, Somerset, TA20 2GB
Telephone: 01460 68600 Fax: 01460 68458

© Numatic International Limited



CV 570
CVD 570
CV 900
CVD 900



Distributed by:

**Numatic International Limited,
Chard, Somerset, TA20 2GB**

Telephone: 01460 68600

Fax: 01460 68458

UNITED KINGDOM: www.numatic.co.uk **GERMANY:** www.numatic.de

SWITZERLAND: www.numatic.ch **FRANCE:** www.numatic.fr

NETHERLANDS: www.numatic.nl **SOUTH AFRICA:** www.numatic.co.za